



PRIVILEGE 2019



Discover our PRIVILEGE furniture range, designed for your most relaxing moments! Try the combination of French-style elegance with the high quality of a product that is “Made in France”.

With a unique design, clean and refined lines, the products in the PRIVILEGE range reflect an aesthetic, free way of living.

Our indoor/outdoor technical fabrics, developed by teams of the most demanding stylists and engineers, will offer unrivalled comfort for everyday well-being.

Hedona fabrics, made of soft padding and a woven two-material canvas, combine comfort and strength.

Discover the new colour Jade, a sea green, which brings a fresh breeze to this “breathable” collection.

The new Tundra finish, also designed for an indoor/outdoor use, will appeal to fans of interior design with a soft to the touch mesh.

Why not try it out for yourself, or invite friends over?

Thank you for your interest and loyalty.

Arnaud du Mesnil  
Managing Director

A handwritten signature in black ink, appearing to read 'Arnaud', with a stylized flourish at the end.









LOUNGE	6
Sphinx lounge chair	8
Cocoon lounge chair	10
Cocoon footrest	12
Cocoon low table	14
PATIO • POOLSIDE	16
Transabed and Next	18
Transalounge	20
Miami	22
Vogue	24
DINING	26
Anytime chair	28
Anytime armchair	30
Anytime tables	32
RELAXATION	36
Evolution	38
TECHNOLOGIES	40
OUR BRAND	57
SALES CONTACTS	59

LOUNGE









SPHINX  
loung chair









COCOON  
loung chair





COCOON  
footrest







COCOON  
low table



PATIO  
POOLSIDE









# TRANSABED & NEXT









# TRANSALOUNGE













DINING









ANYTIME  
chair







ANYTIME  
armchair





ANYTIME  
tabletop 64 x 68 cm



# ANYTIME

tabletop 68 x 110 cm





ANYTIME  
tabletop 79 x 139 cm



RELAXATION













Lafuma  
MOBILIER



# TECHNOLOGIES



# Seat canvas and cushions

New TUNDRA, where style meets comfort!

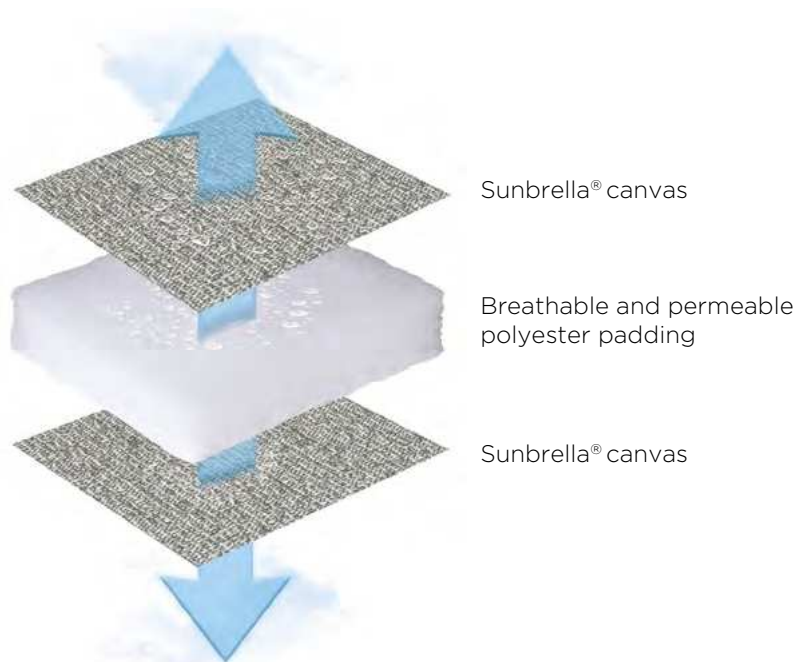
Discover this ultra-trendy super soft texture, with ready-made accents.

A soft padded technical fabric, designed for indoor/outdoor use, offering good resistance to the weather and everyday wear and tear. Resistant to sunlight, water-repellent, and easy to clean (with soapy water). All its technical qualities make this textile the ideal partner for your leisure.

 sunbrella®



Tundra Grey **NEW**





# Seat canvas and cushions

Hedona, the perfect combination of technicality, comfort and style.

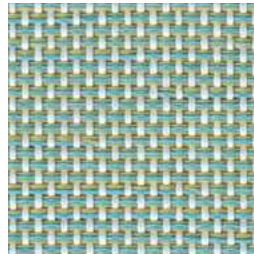
The result of a long research study into seating comfort and new products for indoor/outdoor use, the technical «3 layer» Hedona cushion offers unsurpassed comfort, while enabling the design of products with refined lines and a definite modern look.

The decorative part, made from Eden, combines the technical qualities of Batyline® with comfort, the feel of the fabric and style in an original way.

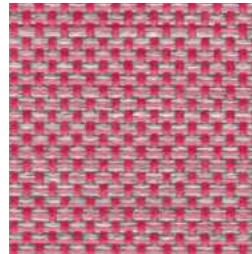
Hedona is easy to maintain, does not retain water, is breathable, dries quickly and is not affected by the sun. It is easy to keep clean with a little soapy water.



Latte



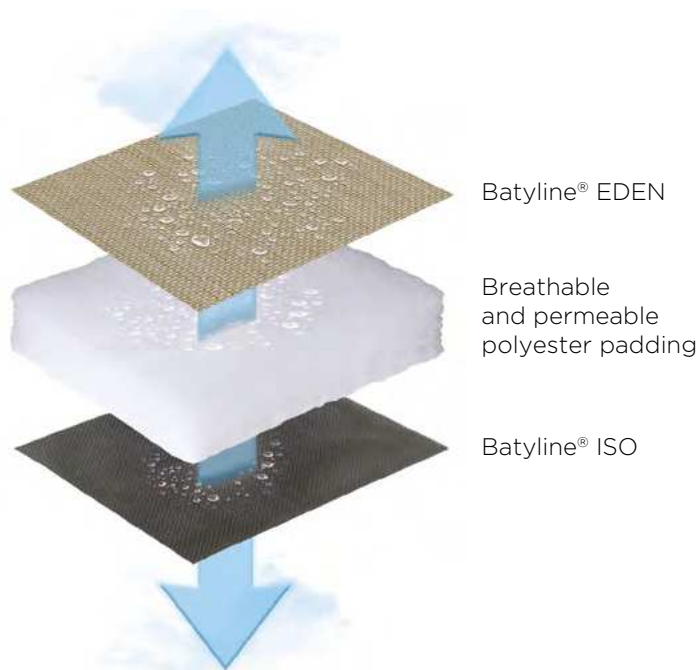
Jade **NEW**



Orchid



Onyx **NEW**



**BATYLINE® Serge Ferrari**

Batyline® fabric allows the creation of products which are particularly suited for use around the poolside, thanks to good resistance to UV exposure, an anti-fungal treatment and open weave which does not retain water.

Batyline® fabrics have great resistance to tearing, they keep their shape and are easy to maintain.

They are also environmentally-friendly as they have an eco-design and are 100% recyclable.

# Frames and tabletops

**Frame made from HEL (High Elastic Limit) steel.**

HEL steel is characterised by its excellent functional properties and high level of mechanical resistance. This steel is therefore durable against fatigue and resistant to knocks.

ANYTIME range, TRANSALOUNGE and MIAMI use galvanised steel which offers enhanced anti-corrosion properties.

**Paint - far more than a simple colour..**

The original look of our finishes makes it a material in its own right, with a deep richness and refined surface. Our steel frames are painted with 100% polyester powder-coated lacquers. They are notable for their excellent resistance to UV rays.

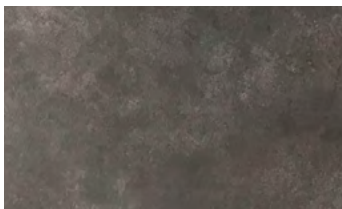
More than 15 years ago the paint facility converted to powders - cleaner for employees and customers, and offering more durability for products.



**HPL tabletops**

HPL (High Pressure Laminate) is a compact laminate material comprising different resin layers. Its properties offer numerous advantages for our tables: resistance to scratching and knocks, chemicals, bad weather, heat (up to 180°C) and UV rays (colourfastness).

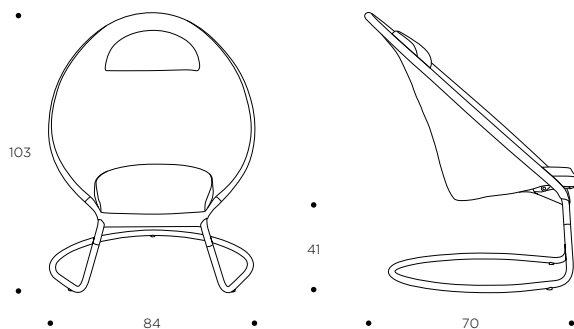
It is a durable, hygienic product that is easy to maintain. A little soapy water is all that is needed to clean stains; scouring creams and furniture cleaners or polishes are to be avoided.



Volcanic

# Products

## COCOON lounge chair



### In and outdoor cantilevered chair.

Frame: HEL galvanised steel tubing Ø 25 mm.

Frame cover: Batyline® Eden. Excellent resistance to UV rays.

Seat: breathable, permeable Hedona cushion. Quick-drying. Excellent resistance to UV rays.

Headrest: profiled foam insert. Cover Batyline® Eden. Excellent resistance to UV rays.

Foot protectors.



LFM2842-7710  
Latte



LFM2842-8916  
Jade NEW



LFM2842-8552  
Orchid



LFM2842-8917  
Onyx NEW

## COCOON footrest



### In and outdoor rocking footrest.

Frame: HLE steel tubing Ø 25 mm.

Hedona cushioning: breathable and permeable. Quick-drying. Excellent resistance to UV rays.

Foot protectors.



LFM2769-7710  
Latte



LFM2769-8916  
Jade NEW



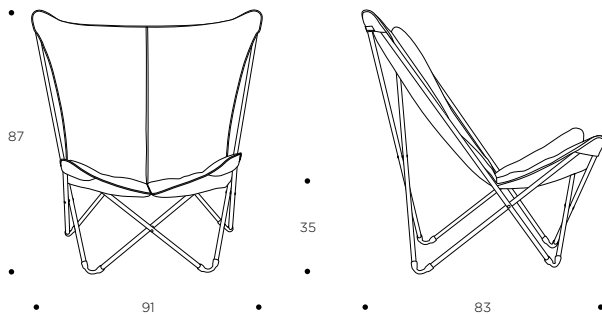
LFM2769-8552  
Orchid



LFM2769-8917  
Onyx NEW



**SPHINX lounge chair**



**This majestic chair is inspired by our legendary POP UP.**

Frame: HLE steel tubing Ø16 mm.

High back and wide seat.

Hedona cushioning: breathable and permeable. Quick-drying. Excellent resistance to UV rays.

Ultra-resistant elastomere joints.

1  
position

4  
KG

5  
year  
GUARANTEE



LFM2770-7710  
Latte



LFM2770-8916  
Jade **NEW**



LFM2770-8552  
Orchid

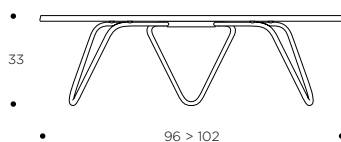


LFM2770-8917  
Onyx **NEW**



LFM2859-8937  
Tundra grey **NEW**

**COCOON low table**



**In and outdoor low table.**

Tabletop: High quality compact laminated HPL material, particularly resistant to scratches and knocks. Thickness 10 mm.

Frame: HEL steel tubing Ø 16 mm.

Foot protectors.

11.7  
KG

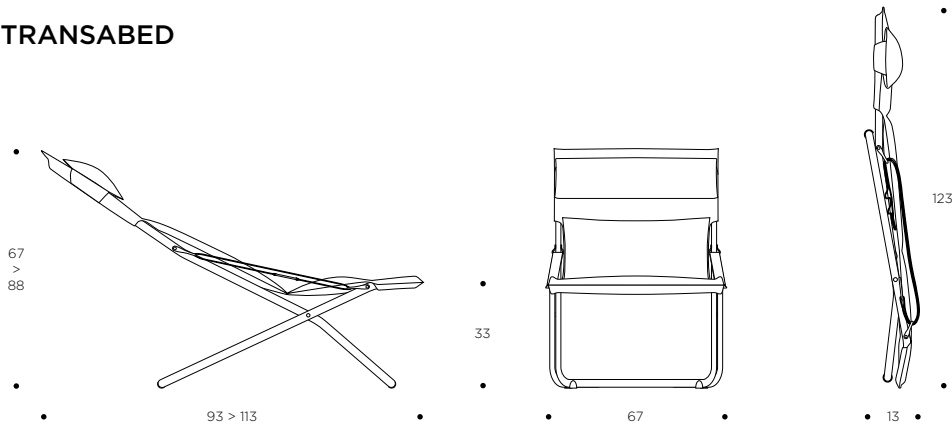
5  
year  
GUARANTEE



LFM2717-8233  
Volcanic

# Products

## TRANSABED



### Lounge deckchair.

Folding deck chair / sun lounger with large sized base. No cross-piece at the front of the seat.

Frame: HEL steel tubing Ø 25 mm.

Armrests in a reinforced weave with 3 position adjustment using snap hook and ring (including lay flat position).

Hedona cushioning: breathable and permeable. Quick-drying. Excellent resistance to UV rays.

Adjustable and removable cushioned headrest.

Foot protectors.

3  
positions

7  
KG

5  
year  
WARRANTY



LFM2866-7710  
Latte

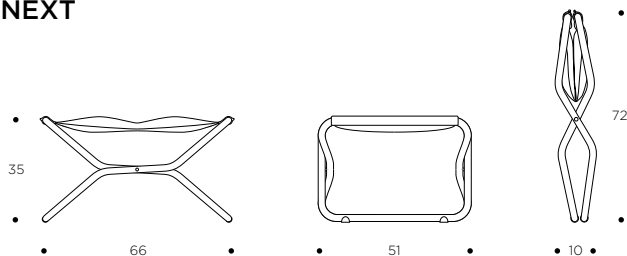


LFM2866-8916  
Jade NEW



LFM2866-8917  
Onyx NEW

## NEXT



### Footrest.

Frame: HEL steel tubing Ø 25 mm.

Hedona cushioning: breathable and permeable. Quick-drying. Excellent resistance to UV rays.

Foot protectors.

1  
position

4  
KG

5  
year  
WARRANTY



LFM2647-7710  
Latte

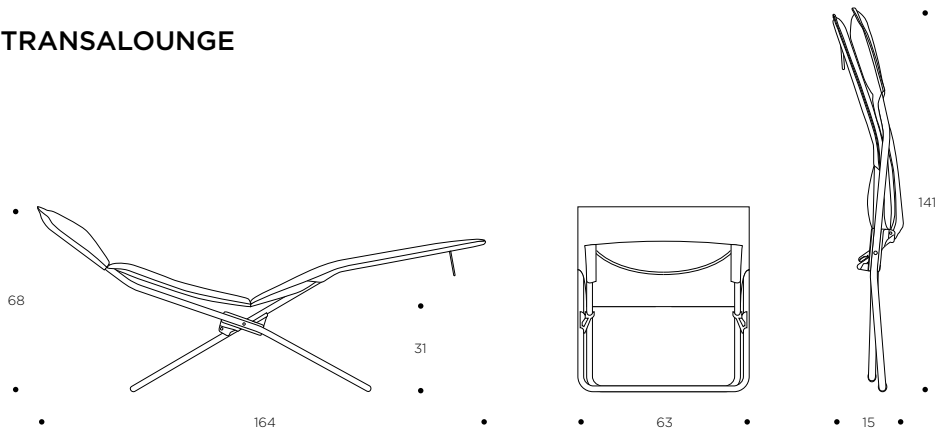


LFM2647-8916  
Jade NEW



LFM2647-8917  
Onyx NEW

**TRANSALOUNGE**



**Sun lounger.**

Folding deck chair / sun lounger with large sized base.

Frame: HEL galvanised steel tubing Ø 25 mm.

Articulation system with exclusive safety lock when in a folded position.

Hedona cushioning: breathable and permeable. Quick-drying. Excellent resistance to UV rays.

Foot protectors.

1  
position

9  
KG

5  
year  
WARRANTY



LFM2788-7710  
Latte



LFM2788-8916  
Jade NEW



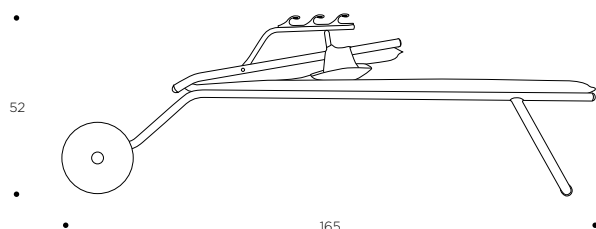
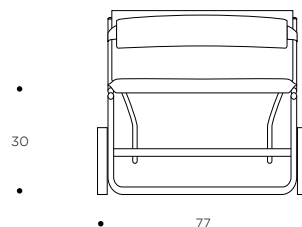
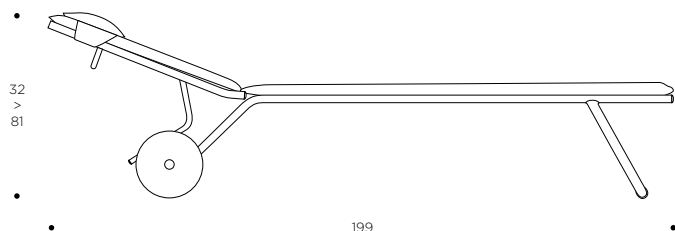
LFM2788-8917  
Onyx NEW





# Products

## MIAMI



### Sun lounger with wheels.

Frame: HEL galvanised steel tubing Ø 25 mm.

Hedona cushioning: breathable and permeable. Quick-drying. Excellent resistance to UV rays.

Fabric attached by injected elastomer hooks (exclusive LAFUMA patented CLIP). Removable cushion.

Backrest reclines to 3 positions including 1 completely flat position.

Adjustable and removable cushioned headrest.

Foot protectors.

3  
positions

10.8  
KG

5  
year  
guarantee



LFM2787-7710  
Latte

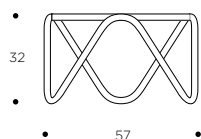


LFM2787-8916  
Jade NEW



LFM2787-8917  
Onyx NEW

## VOGUE



### Stackable low table.

Frame: HEL steel tubing Ø 22 mm.

Lacquered steel tabletop.

Foot protectors.

2.8  
KG

2  
year  
guarantee

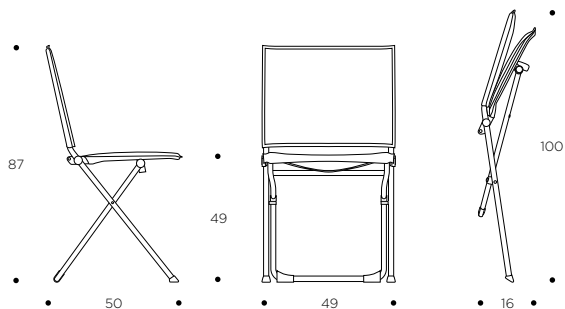


LFM1949-7782  
Titane



# Products

## ANYTIME chair



### Compact folding chair.

Frame: HEL galvanised steel tubing Ø 18 and 20 mm.

Rotating plastic parts: injected polyacetal, very resistant to friction.

Hedona cushioning: breathable and permeable. Quick-drying. Excellent resistance to UV rays.

High stability foot protectors.

1  
position

3.9  
KG

5  
year  
warranty



LFM2785-7710  
Latte

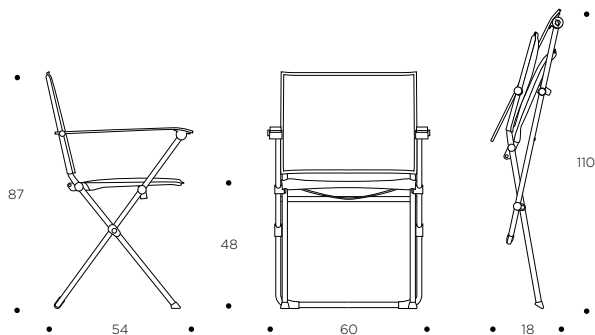


LFM2785-8916  
Jade NEW



LFM2785-8917  
Onyx NEW

## ANYTIME armchair



### Compact folding armchair.

Frame: HEL galvanised steel tubing Ø 18 and 20 mm. Aluminium armrests.

Rotating plastic parts: injected polyacetal, very resistant to friction.

Hedona cushioning: breathable and permeable. Quick-drying. Excellent resistance to UV rays.

High stability foot protectors.

1  
position

4.8  
KG

5  
year  
warranty



LFM2786-7710  
Latte



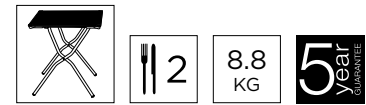
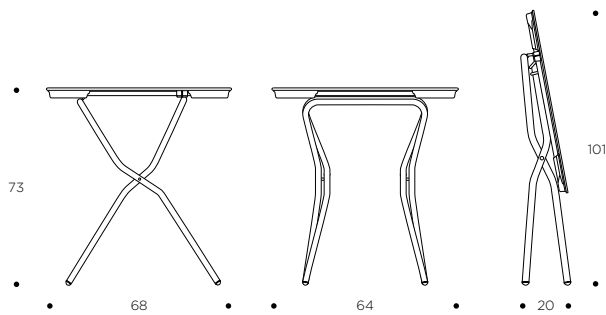
LFM2786-8916  
Jade NEW



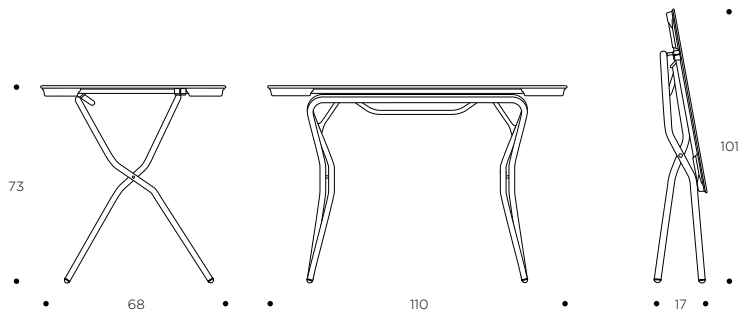
LFM2786-8917  
Onyx NEW



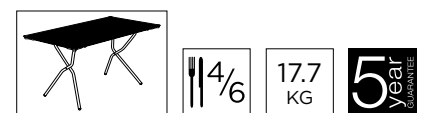
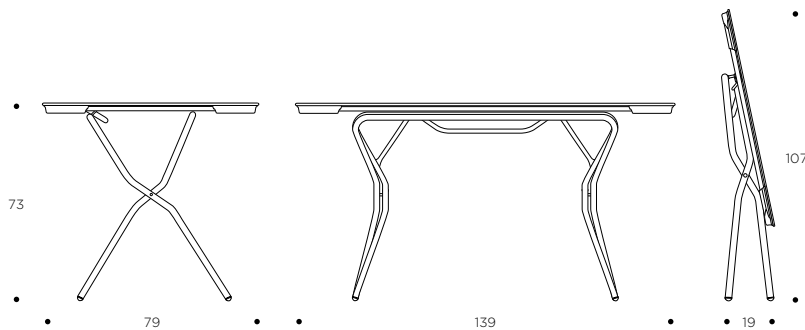
## ANYTIME tables



**LFM2714-8233**  
Volcanic



**LFM2715-8233**  
Volcanic



**LFM2716-8233**  
Volcanic

### Folding table, self-standing when folded.

Frame: HEL galvanised steel tubing Ø 25 mm.

Design that allows for maximum legroom.

Tabletop: High quality compact laminated HPL material, particularly resistant to scratches and knocks. Thickness 6 mm.

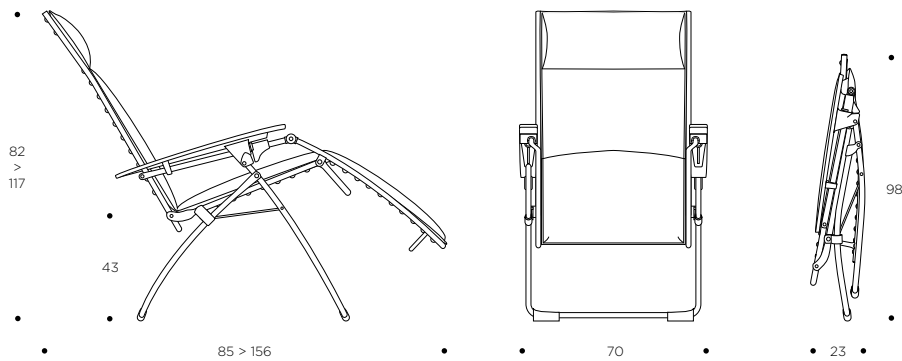
Tabletop frame parts made from polyamide, of which 30% fiberglass: rigidity and good mechanical durability over time.

Folding mechanism made from injected polyacetal: very resistant to friction.

Adjustable screws on the ends of 2 of the legs to give extra stability when required.

# Products

## EVOLUTION



### Relaxation armchair.

Frame: HEL steel tubing Ø 20 mm.

Refined design with no cross-piece at the top of the backrest or the base of the leg rest.

Ergonomic armrests made from injected resin.

Seating position adjustment with fixed armrests and stabilisers.

Hedona cushioning: breathable and permeable. Quick-drying. Excellent resistance to UV rays.

Fabric attached by injected elastomer hooks (exclusive LAFUMA patented CLIP). Removable cushion.

Reinforced bar under the seat.

Integral headrest.

High stability foot protectors.



LFM2768-7710  
Latte



LFM2768-8916  
Jade NEW



LFM2768-8917  
Onyx NEW









## OUR BRAND

LAFUMA MOBILIER, a concentrate of French savoir-faire.

LAFUMA MOBILIER designs, develops and manufactures outdoor furniture to accompany our consumers in their happy moments, both at home and in the great outdoors.

Style, comfort and durability are the basic principles of the brand's creations. Using its unique savoir-faire and keen sense for innovation, LAFUMA MOBILIER improves its collections of practical, ergonomic and aesthetic designs year after year.

The result: LAFUMA furniture is always popular and stands the test of time, with models such as the famous Relax and Pop-Up.

A market leader in outdoor goods, LAFUMA MOBILIER has always been conscious of its role in social and environmental awareness. Since its creation on 1954, LAFUMA MOBILIER has combined its different individual skills in an exemplary eco-friendly approach, relying on its teams' knowledge (product design, manufacturing and sourcing, transport and logistics, human resources, sales and communication).

More than just a single undertaking, sustainable development lies at the very core of LAFUMA MOBILIER.

International acclaim has not meant that Lafuma Mobilier has forgotten its origins. Lafuma brand furniture has been manufactured in Anneyron (in the Drôme region), a historic site, for more than 60 years, essentially by local businesses: More than 600,000 items are made there each year and many patented innovations were created there.

Because LAFUMA MOBILIER gambled on succeeding, based on quality at every level, the brand found itself awarded the Origine France Garantie label (Guaranteed Made in France), to recognise its industrial commitment and as a measure of the quality of its products.



The label certifying a guaranteed made in France product.







---

## France sales contacts

---

### PARIS

Gaël GRAT  
06 82 69 41 07  
ggrat@lafuma.fr

Service client :  
Josiane DREVETON - 04 75 31 31 77  
jdreveton@lafuma.fr

### NORD-EST

Patrice FERRY  
06 83 72 49 50  
pferry@lafuma.fr

Service client :  
Béatrice SIMONY - 04 75 31 89 32  
bsimony@lafuma.fr

### OUEST

Jean-Baptiste COLONNA  
06 80 28 89 64  
jbcolonna@lafuma.fr

Service client :  
Béatrice SIMONY - 04 75 31 89 32  
bsimony@lafuma.fr

### RHÔNE-ALPES

Malik BENZEMMA  
06 12 12 89 47  
mbenzemma@lafuma.fr

Service client :  
Béatrice SIMONY - 04 75 31 89 32  
bsimony@lafuma.fr

### SUD-EST

Pascale MAZUEL  
06 74 35 73 41  
pmazuel@lafuma.fr

Service client :  
Béatrice SIMONY - 04 75 31 89 32  
bsimony@lafuma.fr

### SUD-OUEST

Pascaline ZAVAGNIN  
06 74 08 45 55  
pzavagnin@lafuma.fr

Service client :  
Stéphanie PONCET - 04 75 31 31 83  
sponcet@lafuma.fr

---

## International sales contacts

---

### DOM-TOM

Gaël GRAT  
+33 (0)6 82 69 41 07  
ggrat@lafuma.fr

Service client :  
Béatrice MUZOTTE +33 (0)4 75 68 57 09  
bmuzotte@lafuma.fr

### BELGIUM - LUXEMBOURG

LWA S.A  
Patrick PHILIPS  
AVENUE LAVOISIER, 18A  
B - 1300 WAVRE  
Phone + 32 10 24 85 92  
Fax + 32 10 24 71 04  
lambert@lafumagroup.be

### SUISSE francophone

Malik BENZEMMA  
+33 (0)6 12 12 89 47  
mbenzemma@lafuma.fr  
Service client :  
Natacha LICZBINSKI +33 (0)4 75 31 89 07  
nliczbinski@lafuma.fr

---

### GERMANY

LAFUMA GROUP GMBH  
Oliver SCHRÖER

Postanschrift:  
Lafuma Mobilier SAS  
6 rue Victor LAFUMA  
FR - 26140 ANNEYRON  
Telefon +49 70 23 95 11 0  
Fax +49 711 899 85 426  
customer-service@lafuma-moebel.de

### AUSTRIA

LAFUMA MOBILIER SAS  
Helmut WINKLER

hwinkler@lafuma.fr  
Phone + 43 664 398 7449  
Fax +49 711 899 85 426  
Postanschrift:  
6 rue Victor LAFUMA  
FR - 26140 ANNEYRON

### SWITZERLAND

german speaking  
LAFUMA MOBILIER SAS  
Andreas BECK

abeck@lafuma.fr  
Phone + 49 174 314 88 08  
Fax +49 711 899 85 426  
Postanschrift:  
6 rue Victor LAFUMA  
FR - 26140 ANNEYRON

### NETHERLANDS

LAFUMA B.V  
Richard VOGELS

SPORT BUSINESS CENTER  
SHOWROOM C35  
PLESMANSTRAAT 1  
3833 LA LEUSDEN  
Phone + 31 33 432 04 99  
info-nl@lafuma.com

---

### ITALY

LAFUMA ITALIA L.M.O Srl  
Sandro SCATTOLIN

sscattolin@lafuma.fr  
Indirizzo postale :  
Lafuma Mobilier SAS  
6 rue Victor LAFUMA  
FR - 26140 ANNEYRON  
Phone + 39 04 18 685 651

### SPAIN

Santi RIUBRUGENT RODÁ

Santi.comercials@gmail.com  
Phone + 34 615 23 93 47

### SWITZERLAND italian speaking

LAFUMA MOBILIER SAS  
Sandro SCATTOLIN

sscattolin@lafuma.fr  
Indirizzo postale :  
Lafuma Mobilier SAS  
6 rue Victor LAFUMA  
FR - 26140 ANNEYRON  
Phone + 39 04 18 685 651

---

### UNITED KINGDOM - IRELAND

LAFUMA MOBILIER SAS  
Tom WILLIAMS

twilliams@lafuma.com  
Phone + 44 740 744 0142

Mailing address :  
6 rue Victor Lafuma  
FR - 26140 Anneyron  
Phone + 44 203 499 0415  
contactuk@lafuma.fr

### SCANDINAVIA

MOSAIQUE

KORSGADE 18  
5270 ODENSE N  
DENMARK  
Phone + 45 66 11 47 46  
allan@mosaique.dk

### USA

LAFUMA AMERICA INC

3575 KOGER BLVD, SUITE 220  
DULUTH, GA 30096  
Phone + 1 678 810 8860  
Fax + 1 678 819 4412  
customerservice@lafumausa.com

### JAPAN

LAFUMA MOBILIER SAS  
Emilie CABRERA

ecabrera@lafuma.fr  
Mailing address :  
6 rue Victor Lafuma  
FR - 26140 Anneyron



**LAFUMA MOBILIER S.A.S.**

6 rue Victor Lafuma  
26140 ANNEYRON  
FRANCE

Tél. / Phone +33 (0)4 75 31 31 31  
Fax +33 (0)4 75 31 57 26







LAFUMA MOBILIER - FRANCE